
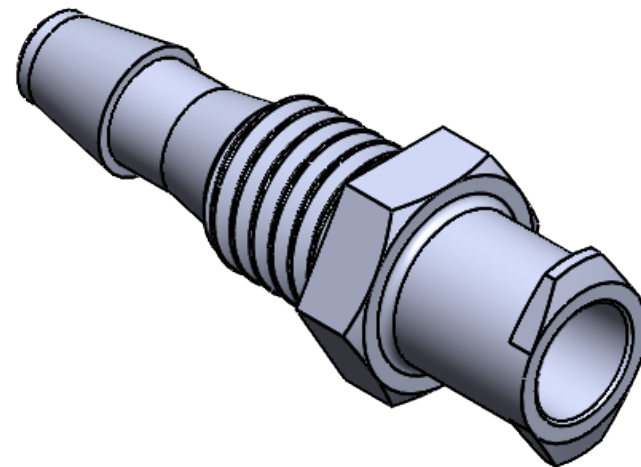
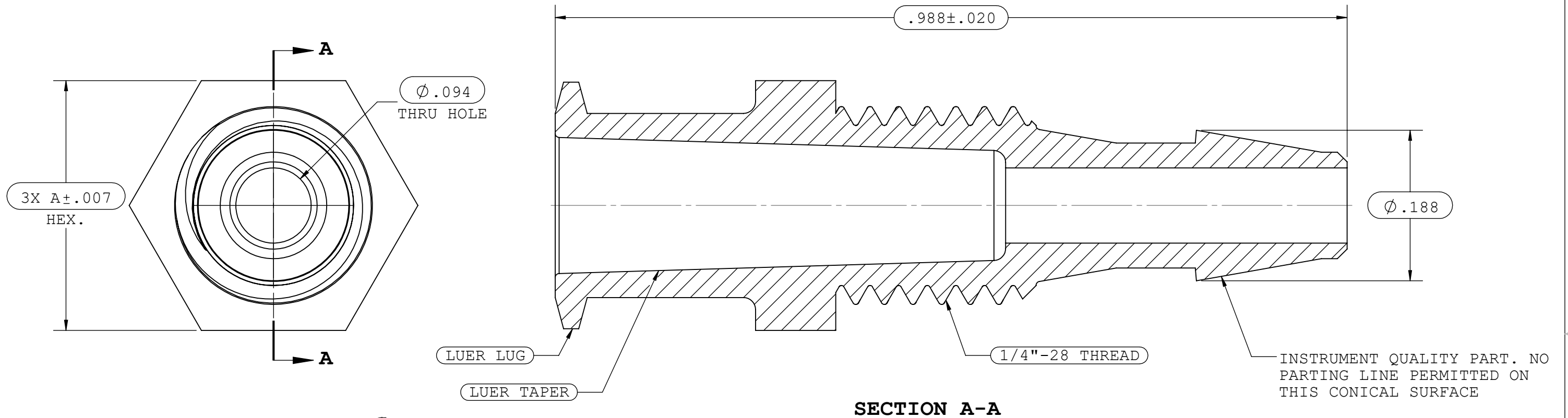


NOTES: FOR ADDITIONAL DETAILS, PLEASE CONTACT VP CUSTOMER SERVICE
 DIMENSIONS MARKED  ARE CONTROL DIMENSIONS

REVISIONS			
REV.	DESCRIPTION	DATE	APPROVED
A	INITIAL RELEASE	03-09-97	
B	CO 016 DRAFTING UPDATE	05-27-05	RICK C.
C	ECO 1105145	09-14-20	FJL



Dimension	Material Specific Tolerances							
	Acetal	Nylon	PP	ABS	PC	PVC	Polysulfone	Kynar
A	.310	.309	.309	.310	.310	.310	.310	.309
B								
C								
D								
E								
F								

UNLESS OTHERWISE SPECIFIED DIMENSIONS ARE IN INCHES TOLERANCES ARE: <small>FRACTIONS DECIMAL ANGULAR</small> <small>± .XX ±.01 ± 1°</small> <small> .XXX ±.005</small> <small> .XXXX ±.001</small> DO NOT SCALE DRAWING		VALUE PLASTICS, INC			
DRAWN BY: Frank Lombardi		DATE: 05-06-05		PART NUMBER: FTLB230	
MANAGER: Rick Cairns		SIZE: B	SCALE: NTS	VER: 	DESCRIPTION: FEMALE LUER LUG STYLE PANEL MOUNT 1/4-28 UNF TO 200 SERIES BARB, 1/8" (3 mm) ID TUBING
		DWG. NO. 1006628	REV C	SHEET: 1 OF 1	
				© 2014 VALUE PLASTICS, INC	

FOR REFERENCE ONLY